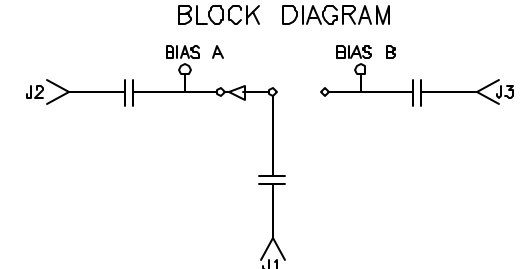
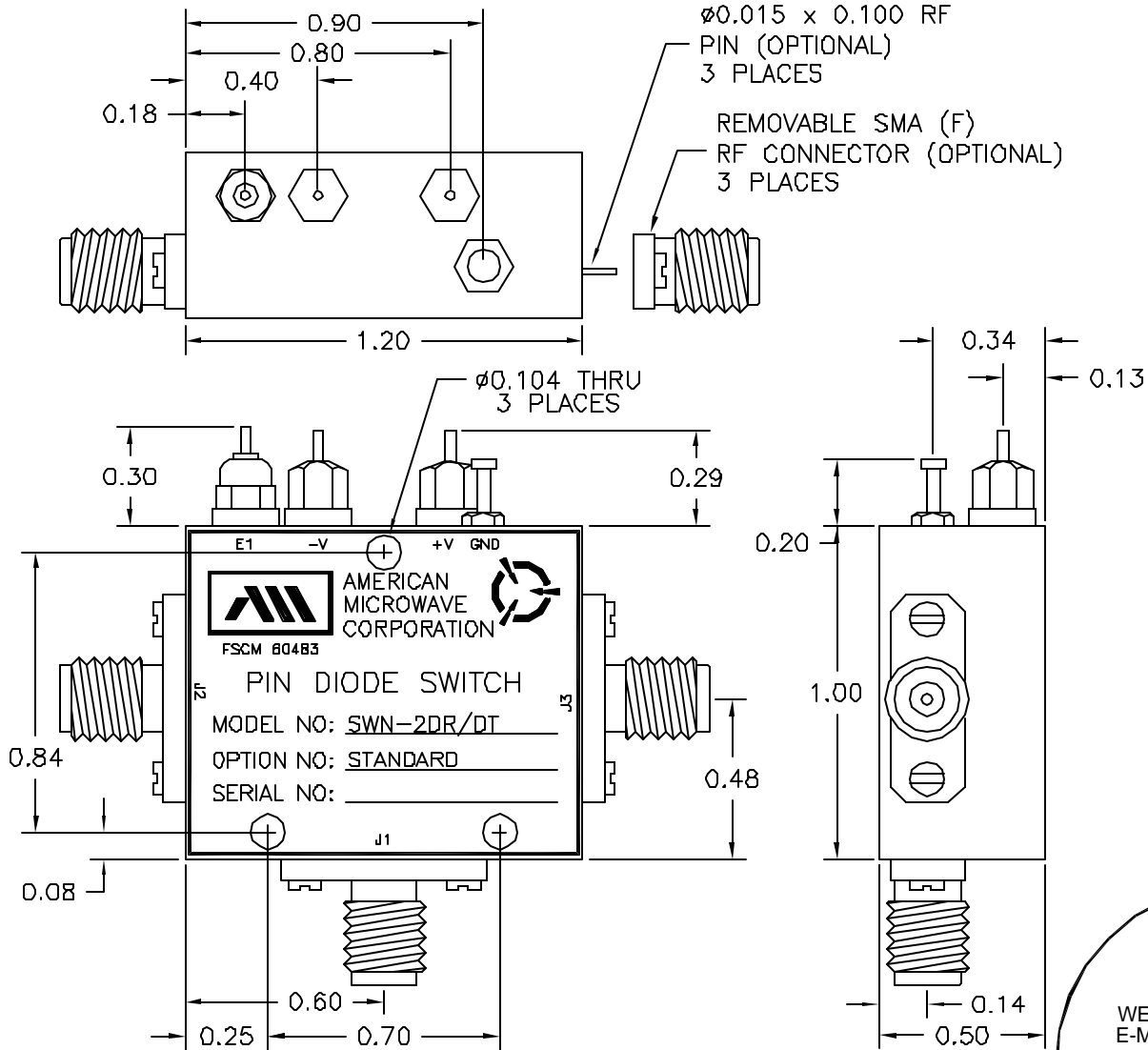


**DESCRIPTION**

AMC MODEL SWN-2DR/DT-STANDARD IS A SINGLE POLE TWO THROW, REFLECTIVE OR ABSORPTIVE/NON-REFLECTIVE SWITCH MODULE WITH VERY LOW INSERTION LOSS, HIGH ISOLATION AND WITH INTEGRAL TTL DRIVER, DESIGNED FOR BROAD BAND OPERATIONS.

REVISIONS				
ZONE	REV.	DESCRIPTION	DATE	APPROVED
	-	ORIGINAL RELEASE JOB# 907137-1	7/22/99	

**MECHANICAL OUTLINE**



**AMERICAN MICROWAVE CORPORATION**

7311-G GROVE ROAD  
 FREDERICK, MARYLAND 21704 USA  
 TEL: 301-662-4700 FAX: 301-662-4938  
 WEBSITE: [www.americanmicrowavecorp.com](http://www.americanmicrowavecorp.com)  
 E-MAIL: [sales@americanmicrowavecorp.com](mailto:sales@americanmicrowavecorp.com)  
 ISO 9001:2000 CERTIFIED



ALL DIMENSIONS ARE IN INCHES  
 TOLERANCES:  
 X.XX ±0.020  
 X.XXX ±0.010

APPROVALS		DATE	TITLE		
DRAWN <i>WPP, RRd</i>		7/22/99	MECHANICAL OUTLINE		
REDRAWN <i>PDJ</i>		1/4/06	SWN-2DR/DT-STANDARD		
ISSUED			SIZE A	FSCM NO. 60483	DWG NO. 100-4427-1
			SCALE N:S	SHEET 2 OF 3	

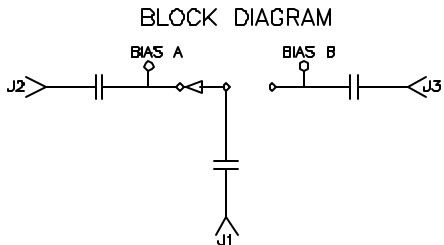
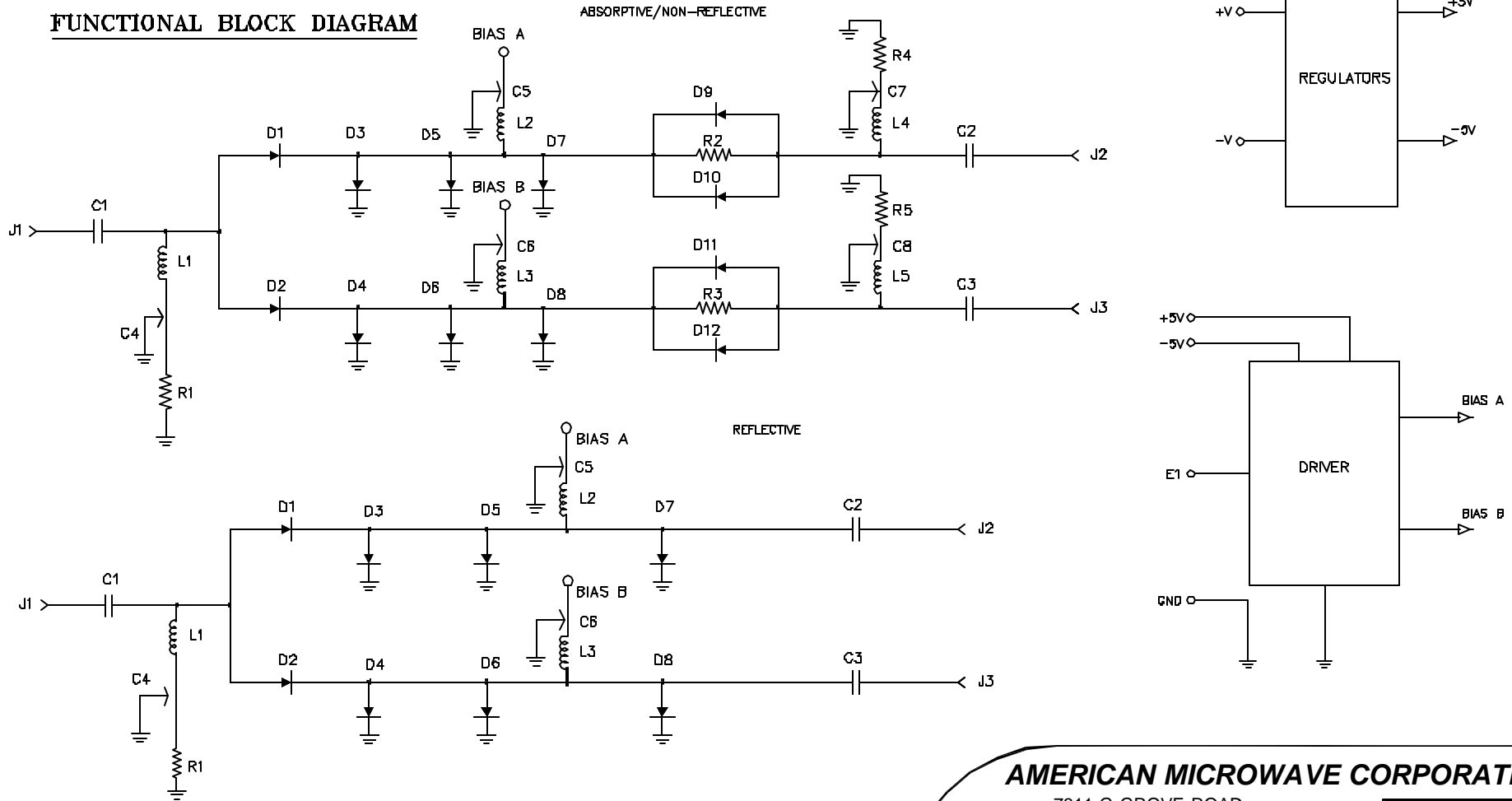


**DESCRIPTION**

AMC MODEL SWN-2DR/DT-STANDARD IS A SINGLE POLE TWO THROW, REFLECTIVE OR ABSORPTIVE/NON-REFLECTIVE SWITCH MODULE WITH VERY LOW INSERTION LOSS, HIGH ISOLATION AND WITH INTEGRAL TTL DRIVER, DESIGNED FOR BROAD BAND OPERATIONS.

REVISIONS				
ZONE	REV.	DESCRIPTION	DATE	APPROVED
	1	ORIGINAL RELEASE JOB# 907137-1	7/22/99	
		BOEING, WA		

**FUNCTIONAL BLOCK DIAGRAM**



**CONFIDENTIAL AND PROPRIETARY**

**AMERICAN MICROWAVE CORPORATION**

7311-G GROVE ROAD  
 FREDERICK, MARYLAND 21704 USA  
 TEL: 301-662-4700 FAX: 301-662-4938  
 WEBSITE: [www.americanmicrowavecorp.com](http://www.americanmicrowavecorp.com)  
 E-MAIL: [sales@americanmicrowavecorp.com](mailto:sales@americanmicrowavecorp.com)  
 ISO 9001:2000 CERTIFIED



APPROVALS		DATE	TITLE		
DRAWN	WFP, RRd	7/22/99	FUNCTIONAL BLOCK DIAGRAM		
REDRAWN	FDJ	1/4/06	SWN-2DR/DT-STANDARD		
ISSUED			SIZE	FSCHM NO.	DWG NO.
			A	60483	100-4427-1
			SCALE	N:S	SHEET 3 OF 3